



The LOG/FM directive antenna are suitable for STL link purposes.

Suitable for single channel or broadband from 87.5 to 108 MHz operations. See RF data for the frequency ranges of each models.

The reduced overall dimensions and the low weight permit an easy installation even on light poles. Volume and shipping cost is also reduced.

This antenna is designed for long term reliability even under severe environmental conditions. They are built aluminium resistant alloy resulting in long life service.

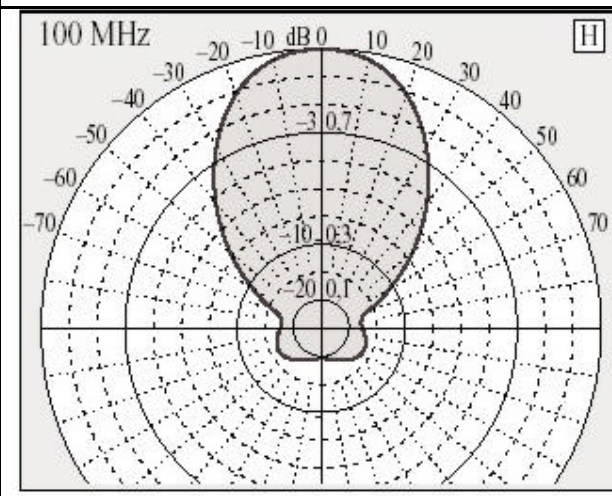
R.F. Data:

Frequency Range	87.5 - 108 MHz
Bandwidth	Broadband
Polarization	horizontal or vertical
Connector	N female
Max. power handling capability	100 W
Gain (at mid band, ref. to $\lambda/2$ dipole)	5.5 dBd
Impedance	50 Ω
Front to back ratio	>20 dB
Wind load (ref. 150 Km/h):	
Frontal	15 Kg
Lateral	12 Kg
Grounding	Via clamps
Horizontal Beamwidth (at -3 dB, at mid band)	64°
Vertical Beamwidth (at -3 dB, at mid band)	112°

Mechanicals:

Number of radiating elements	5
Material	Aluminium
Pole diameter	25 – 55 mm (others on request)
Dimensions (HxL)	917x1705 mm
Weight	1.2 kg

HORIZONTAL PATTERN



VERTICAL PATTERN

